

# SmartCam HD Outdoor



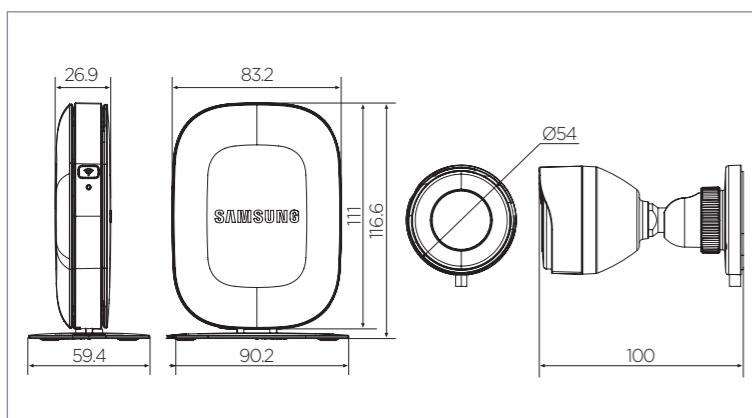
**SmartCam Outdoor is recommended** if you need outdoor monitoring for your homes/stores.

- Modular Type Design (Outdoor Ready)
- Full HD Resolution
- 128° Ultra Wide Angle
- Single Band Wi-Fi (2.4GHz)
- Storage (microSD, Up to 32GB)
- Night Vision up to 50ft
- Motion Detection
- Motion Zone Alert

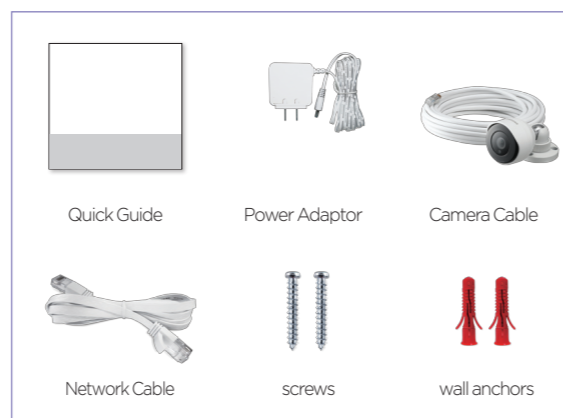


## Dimensions

Unit : mm (inch)



## Contents



## Specifications

SNH - E6440BN	
<b>Video</b>	
Imaging Device	1/2.8" 2M CMOS
Effective Pixels	1944(H) x 1224(V)
Scanning System	Progressive
Low Light Performance	0.3Lux(Color), 0Lux(Black / White)
<b>Lens</b>	
Focal Length (Zoom Ratio)	2.8mm
Angular Field of View	D:128°, H:111°, V:62°
Focus Control	Fixed Lens
<b>Operational</b>	
IR LED	850nm
Viewable Length	15m
On Screen Display	Time Display Only(on/off)
Day & Night	Auto (True D/N)
WDR	N/A
Motion Detection	Off / On
Audio Detection	Off / On (When connect external Spk/Mic)
White Balance	Auto
Digital Zoom	4x
Flip / Mirror	Off / On
Intelligent Video Analytics	3 Motion Zone
<b>Network</b>	
Ethernet	RJ-45 (10/100BASE-T)
Wireless	Wi-Fi 802.11b/g/n (Single Band)
Video Compression Format	H.264, Motion JPEG
Resolution	1920x1080 / 1280x720 / 640x360
Max. Framerate	H.264, 1920x1080 20FPS
Streaming Capability	Multiple Streaming (Up to 5 Profiles)
Audio I/O	External Spk/Mic
Audio Compression Format	G.711, G.726
Audio Communication	Bi-directional(Half duplex)
IP	IPv4
Protocol	TCP/IP, DHCP, SMTP, DNS, RTSP, RTCP, RTP, HTTP, TCP, UDP, STUN, TURN, XMPP, uPNP, SNTp, IPv4, ICMP, Bonjour, SUNAPI
Security	SSL(AES 256bit)
Streaming Method	Unicast
Max. User Access	up to 5 users at unicast mode
Memory Slot	microSD/SDHC, up to 32GB
PC OS Support (Web Viewer)	Windows XP / 7 / 8 or higher(Only Desktop UI), MAC OSX10.7 or higher
Mobile OS Support (Mobile Viewer)	Android OS : 4.x or higher, iOS : iOS6 or higher
Supported Browser	Internet Explorer 9.0 or Higher Firefox 9.0 or Higher Chrome 15.0 or Higher Safari 5.1 or Higher
<b>Environmental</b>	
Operating Temperature / Humidity	0°C - +40°C (+32°F - +104°F) / 20% - 80% RH
Ingress Protection	IP66(Camera Part), Indoor (Body Part)
<b>Electrical</b>	
Input Voltage / Current	9V/1A
Power Consumption	Max 9W
<b>Mechanical</b>	
Color / Material	White
Dimension (WxHxD)	ø54/104mm(Camera Part), 83.2x111.2x26.9mm (Body Part)
Weight	568g